

**FEATURES**

- Easy to read 3 1/2 digit display
- Choice of LCD or LED display
- Optional on-board power supply for 24VAC/DC operation
- Remote Set point potentiometer
- Push button for Set point display
- User friendly calibration adjustments

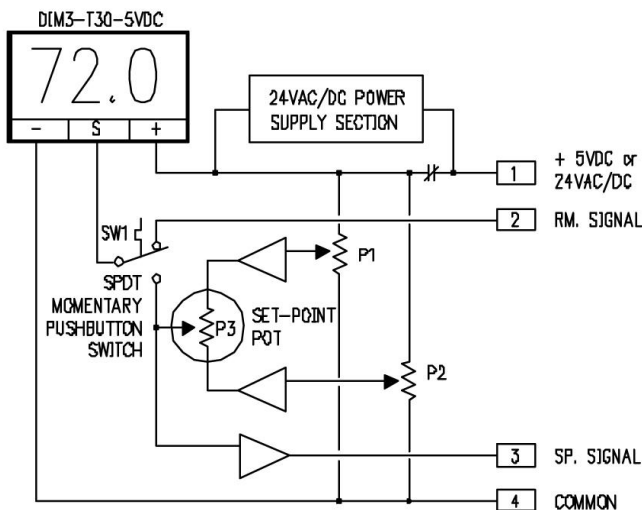
**APPLICATIONS**

- Remote set point potentiometer with display

**DESCRIPTION & OPERATION**

The DIM3-RSP incorporates a Datel's DMS-30 series digital panel meter (that can be ordered with either a LCD or LED display) and a display interface/remote Set point board into a double gang wall plate. The standard DIM3-RSP is powered by a 5VDC, which powers the DMS-30 Display and associated display interface and set-point circuitry. For applications where a 0-5VDC or 0-10VDC set-point signal is required or for 24VAC/DC operation an optional on-board power supply is added. The DIM3-RSP displays the input signal until the momentary switch is pushed then displays the Set point value. Both the display and Set point board have adjustable potentiometers for field calibration. The maximum display range of the display is -1999 to +1999.

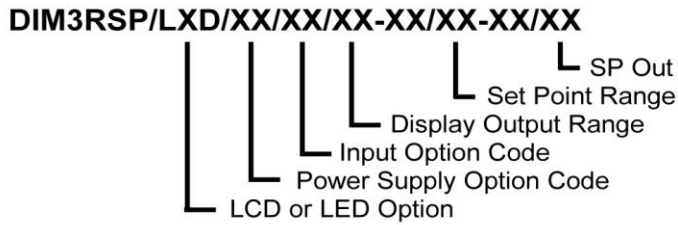
**WIRING CONFIGURATION**



**SPECIFICATIONS**

SIZE:	4.5"L x 4.5"H
MOUNTING:	Panel face mounted 4" square box & 90° mounting ring
POWER:	+5VDC standard +24VAC/ DC optional
INPUT SIGNAL:	0-5VDC, 0-10VDC 0-15VDC, 4-20mA AD590, RTD-1K & 2K sensors All STAEFA sensors
INPUT IMPEDANCE:	>1 Meg Ω sensor inputs 500KΩ for voltage inputs 250Ω for current inputs
DISPLAY:	Datal part # DMS-30 series .35" high 3 1/2 digit LCD or .35" high 3 1/2 digit LED
DISPLAY OUTPUT:	0.000 – 1.999 standard 00.00 – 19.99 optional 0.000 – 1.999 optional
ACCURACY:	0.1% typical, 2% maximum of full range
ADJUSTMENTS:	Zero & span ± 20%
AMBIENT TEMPERATURE:	0 to 50°C
SET POINT OUTPUT:	0-5VDC, 0-10VDC, 0-15VDC (Required 24VAC power supply) or sensor voltages (5VDC power supply standard)
SET POINT ACTION:	Direct or reverse

**ORDERING INFORMATION**



**POWER SUPPLY OPTION CODES**

05	5VDC
06	24VAC/ DC

**INPUT OPTION CODES**

1-5V	1-5VDC input signal
5V	0-5VDC input signal
10V	0-10VDC input signal
15V	0-15VDC input signal
mA-50	4-20mA input w/50V load
mA-249	4-20mA input w/249V load
AD590	Analog Devices AD590 sensor
RTD ○	RTD sensor ○
SCS □	STAEFA sensors □
CUST	Custom sensor ★

- - Specify RTD type, and temperature coefficient when ordering
- - Specify STAEFA sensor type when ordering
- ★ - Specify custom sensor signal and range when ordering

**DISPLAY OUTPUT RANGES**

XX-XX Specify Display Output Range (DOR)  
For the specified input signal

Example: 000.00 to 100.0% RH with a 1-5VDC input signal

**SETPOINT RANGE SPECIFICATIONS**

XX-XX Specify Set Point Range (SPR)

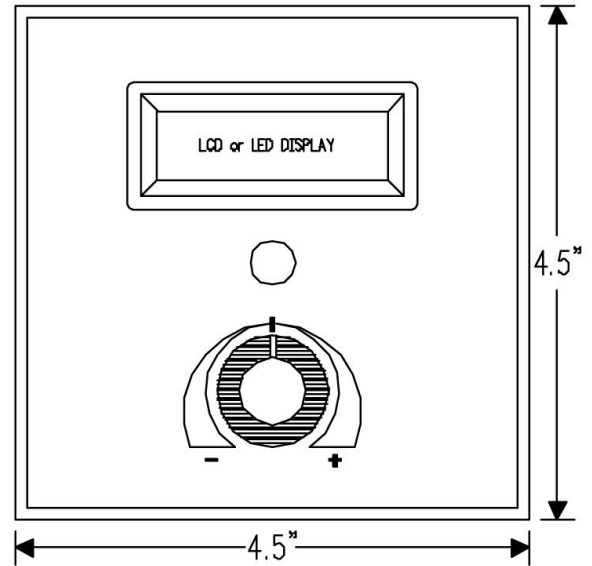
**ORDERING CODE EXAMPLES**

- DIM3-RSP/ LED/ 05/ mA/ 0.0-100.0/ 30-60/ SV
- DIM3-RSP/ LCD/ 05/ RTD-1K/ 20.0-120.0/ 60-80
- DIM3-RSP/ LED/ 24/ mA/ 0.00-19.99/00-19.0/ SV
- DIM3-RSP/ LCD/ 24/ RTD-1K/ 20-120/ 60-80/ RM11

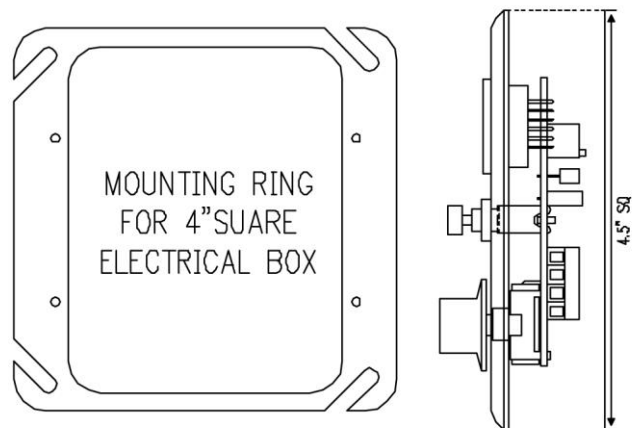
**SET POINT OUTPUT VOLTAGE RANGE**

SV	Sensor voltage
RMXX	CRM2 module range code #
05	0-5VDC Set point voltage signal
10	0-10VDC Set point voltage signal
15	0-15VDC Set point voltage signal

**PHYSICAL CONFIGURATION**



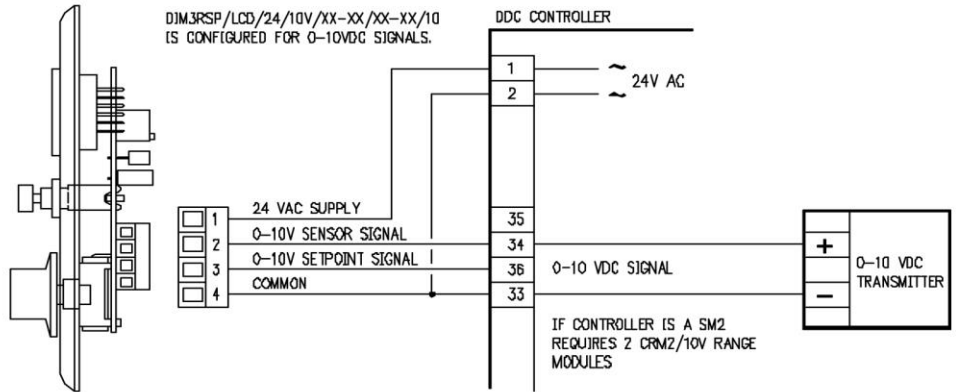
**MOUNTING DETAIL**



Optional Bezel mount Data # DMS-BZL1 & DMS-BZL2.  
SEE panel cutout detail for mounting screws placement.

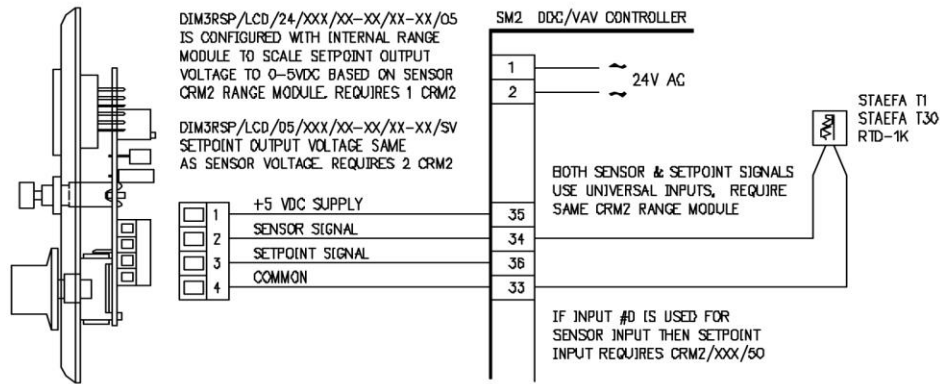
# DIGITAL INDICATION METER WITH SMART II RESET POT DIM3

## APPLICATION 1 VOLTAGE SIGNAL INDICATION



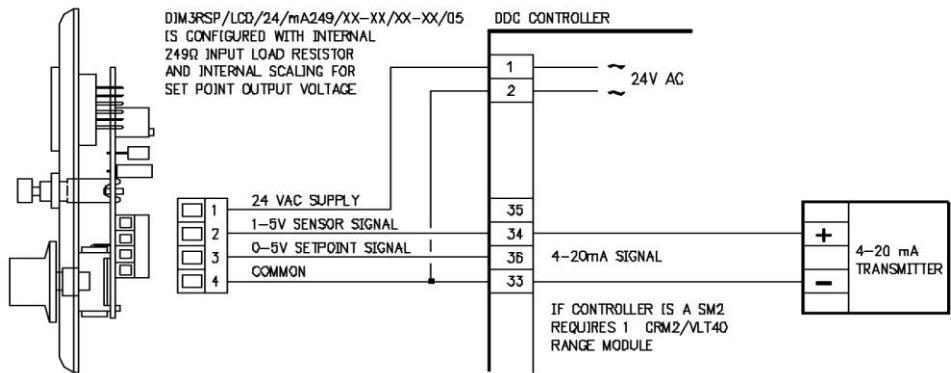
The DIM3RSP remote set point display module can be factory configured for a variety of voltage inputs. Standard input and output voltage signals are 1 to 5VDC, 0 to 5VDC and 0 to 10VDC.

## APPLICATION 2 TEMPERATURE SENSOR INDICATION



The DIM3RSP remote set point display module can be factory configured for STAEFA's T1, T30 or an RTD-1K temperature sensor, with an internal pull-up resistor referenced to the 5 volt supply for standalone operation. The DIM3RSP Set point output can also be factory configured for 0-5V Set point output signal, based on sensor input CRM2 range module. Requires 24VAC power supply option.

## APPLICATION 3 4 TO 20MA SIGNAL INDICATION



The DIM3RSP can be factory configured for 4 to 20mA input signals with 50V, or 250V load resistance. The DIM3RSP and DDC controller are connected in parallel with transmitter with the load resistor in the DIM3RSP.